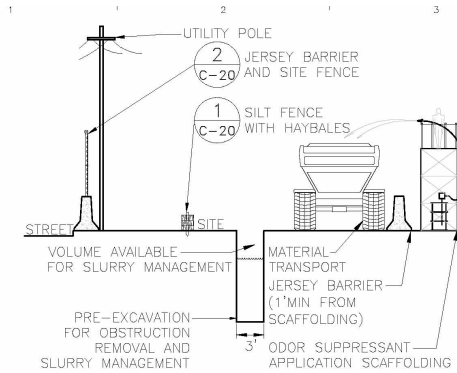


Slurry Wall Installation

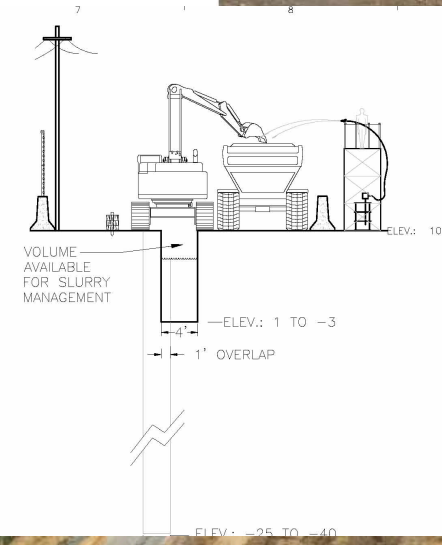
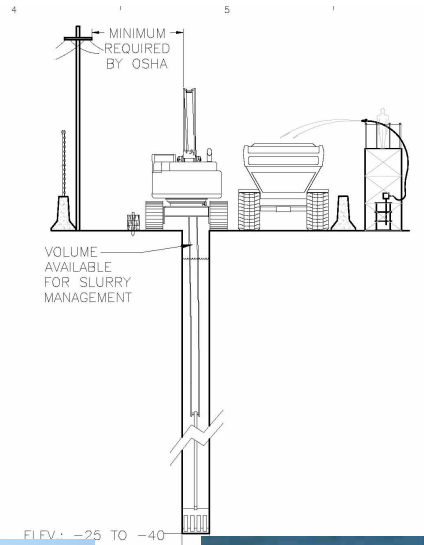


Slurry Wall Installation



NOTE:

1. EXCAVATED MATERIAL TO BE DIRECT LOADED ONTO TRUCK AND IMMEDIATELY STOCKPILED IN TEMPORARY FABRIC STRUCTURE. FOAM SPRAY SHALL BE AVAILABLE FOR ODOR CONTROL.
2. ODOR SUPPRESSANT FOAM SHALL BE CONTINUALLY SPRAYED IN OFF-ROAD TRUCKS USED TO HAUL SPOILS TO TEMPORARY FABRIC STRUCTURE.



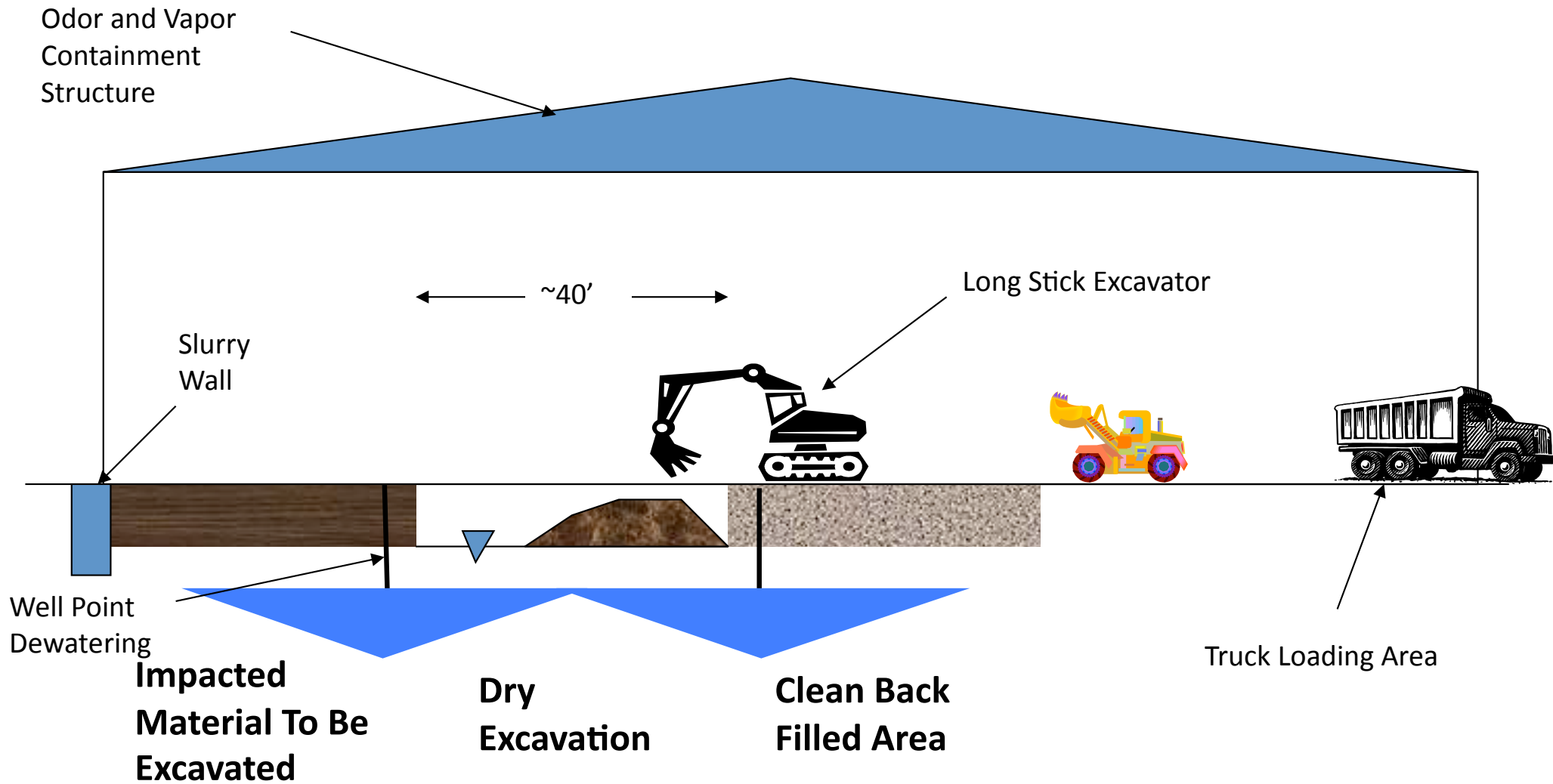
IN BARRIER CBW.



Slurry Wall Installation



Excavation Approach



Fabric Structure





TYPICAL WATER TREATMENT



Soil Handling

